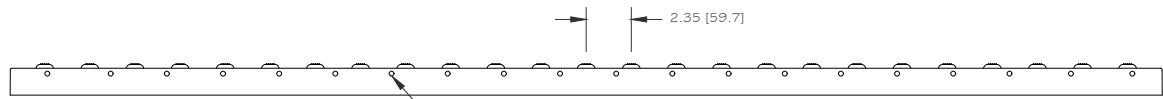


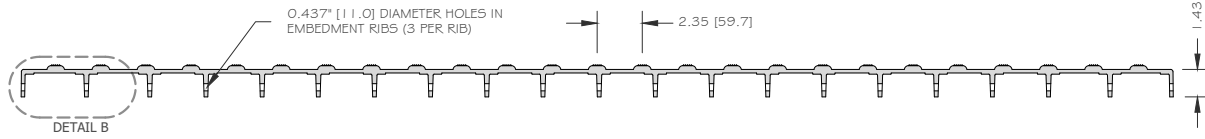
TOP VIEW

AA

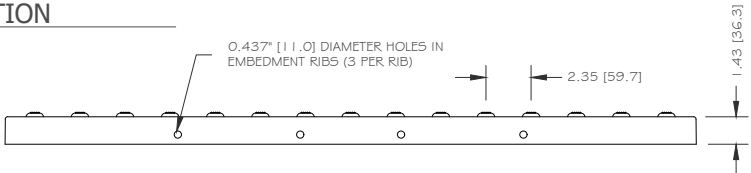
DETAIL A



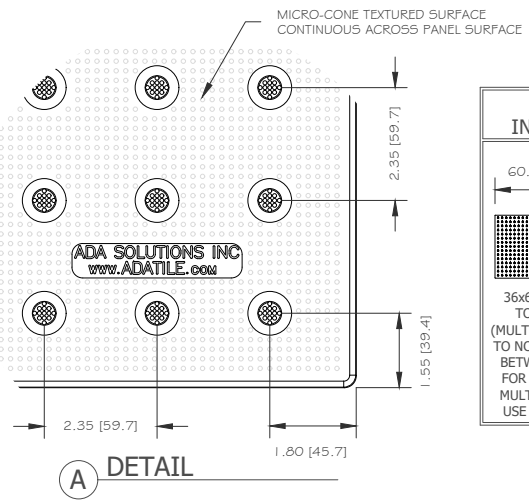
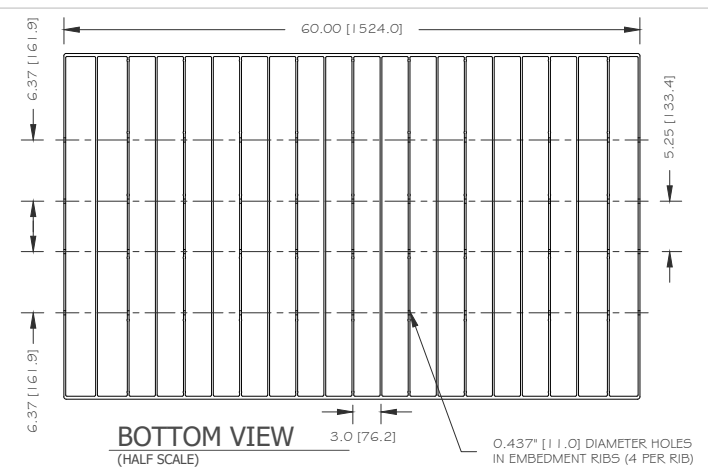
AA SIDE VIEW



CC SECTION



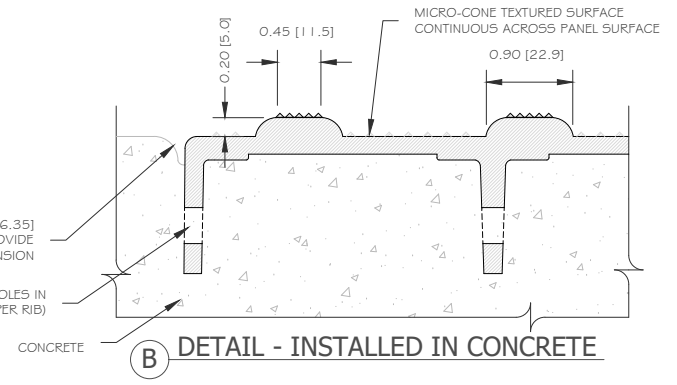
BB END VIEW



IMPORTANT INSTALLATION NOTE

60.0 [1,524] 60.0 [1,524]

36x60 CIP PAVERS SHOULD NOT TO BE INSTALLED IN SERIES (MULTIPLE ADJOINING PANELS) DUE TO NONCOMPLIANT DOME SPACING BETWEEN CONSECUTIVE PANELS. FOR INSTALLATIONS REQUIRING MULTIPLE CONSECUTIVE PANELS, USE 36x48 CIP PAVER PRODUCT.



DETECTABLE WARNING SURFACE PANEL
Cast-In-Place Paver Panel 36" x 60"
 PART SIZE: 36" (914.4 MM) X 60" (1,524 MM)
 2.35" (59.69 MM) X 2.35" (59.69 MM) IN-LINE TRUNCATED DOME SPACING

DIVISION TACTILE WALKING SURFACE INDICATORS		WEBSITE ADATILE.COM
MATERIAL FIBERGLASS REINFORCED POLYMER COMPOSITE SMC		PHONE 1-800-372-0519
DRAWING NUMBER ADA-PAVER-3660	DATE 2023-08-17	DRAWING UNITS INCHES [MM]
		EMAIL INFO@ADATILE.COM

