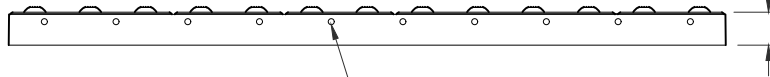
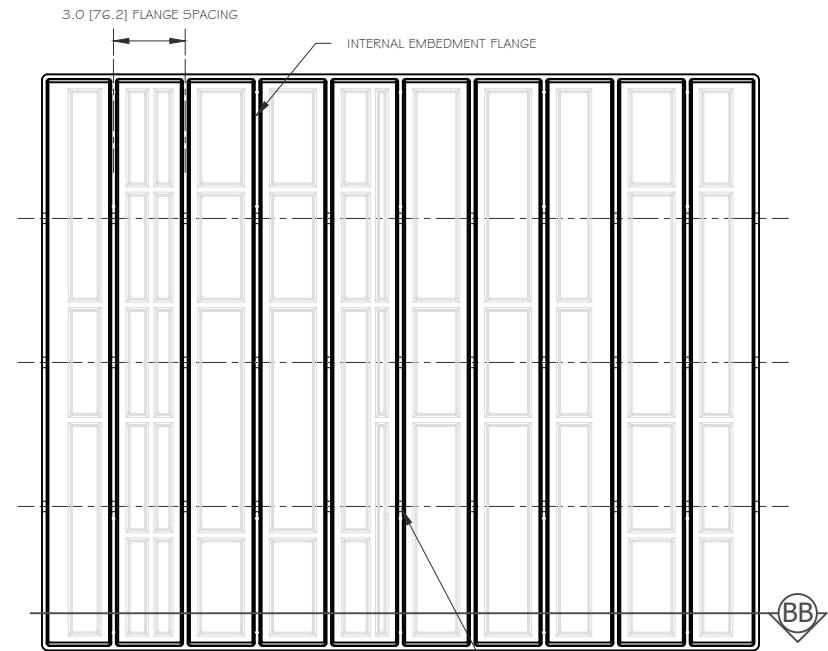


TOP VIEW



AA END VIEW

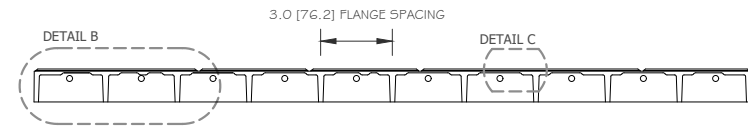
0.25" [6.35] DIAMETER VENT HOLES CENTERED BETWEEN EMBEDMENT FLANGES TO ALLOW AIR TO EXIT FROM CAVITIES DURING INSTALLATION INTO UNCURED CONCRETE.



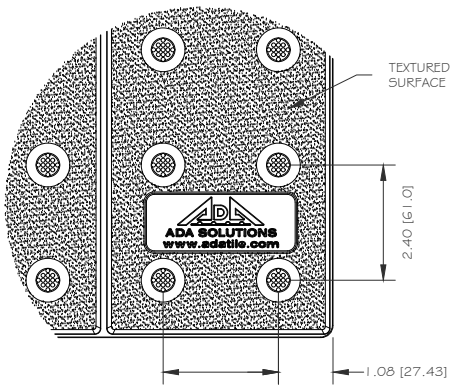
BOTTOM VIEW



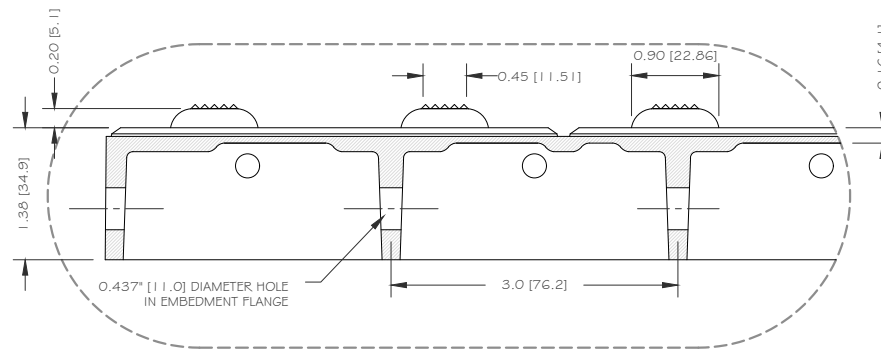
0.437" [11.0] DIAMETER HOLES IN EMBEDMENT FLANGE, 3 PER FLANGE.



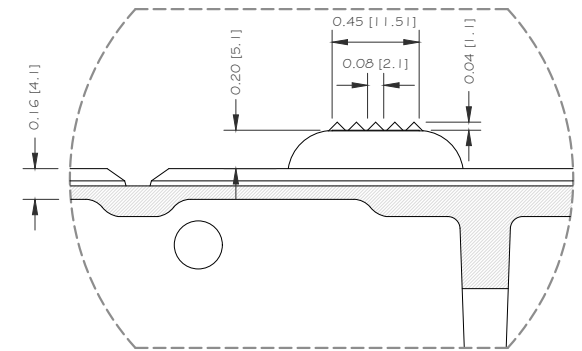
BB SECTION



A DETAIL



B DETAIL

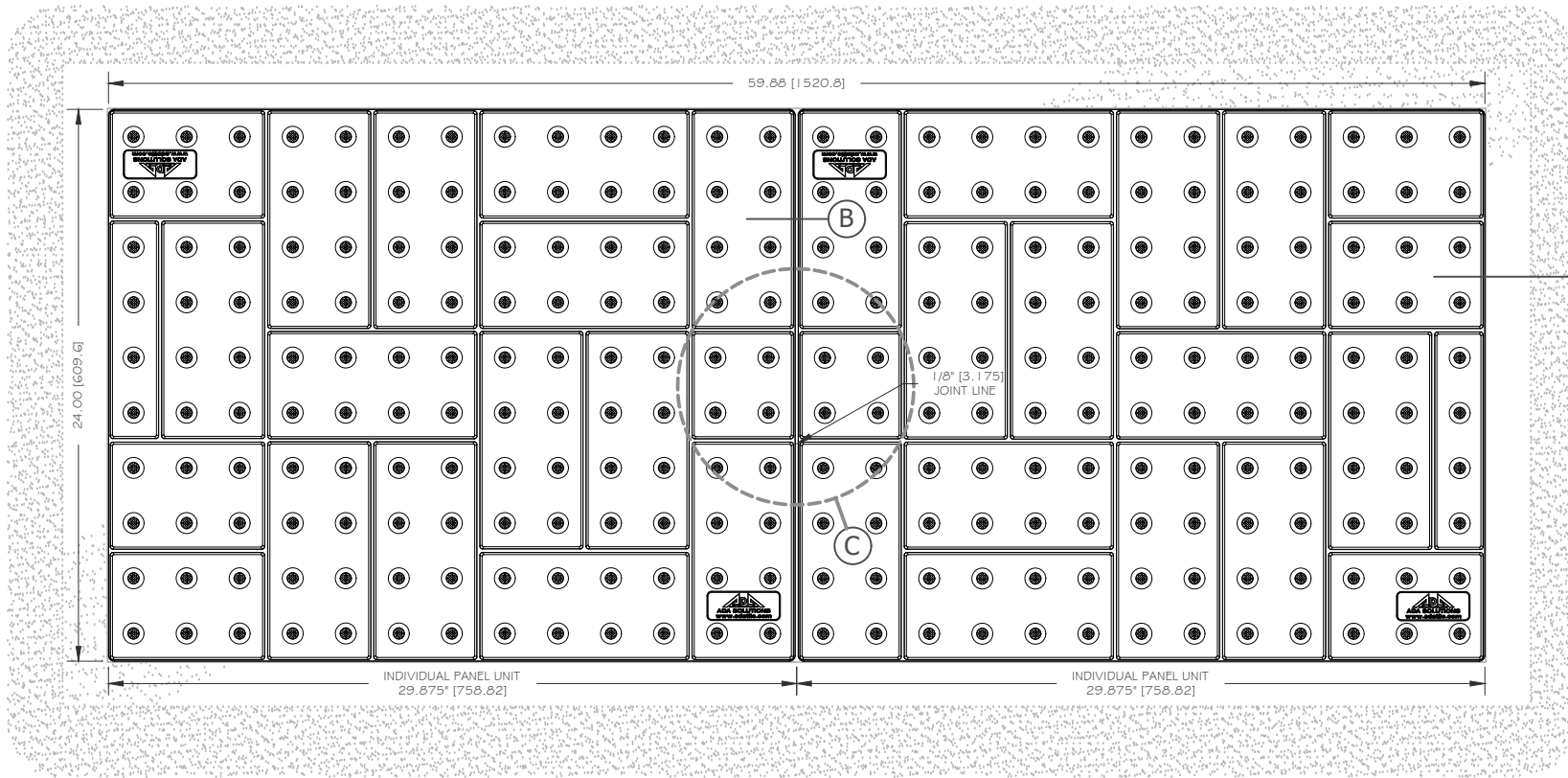


C DETAIL

DETECTABLE WARNING SURFACE PANEL
HERITAGE BRICK PAVER UNIT 24 X 30
 PART SIZE: 24" (609.6 MM) X 29.875" (758.82 MM)
 2.31" (58.67 MM) IN-LINE TRUNCATED DOME SPACING (ALONG 30 INCH LENGTH)

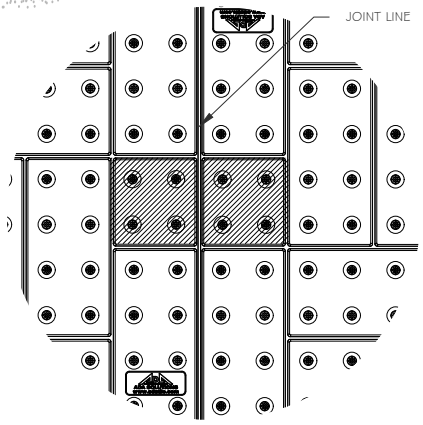
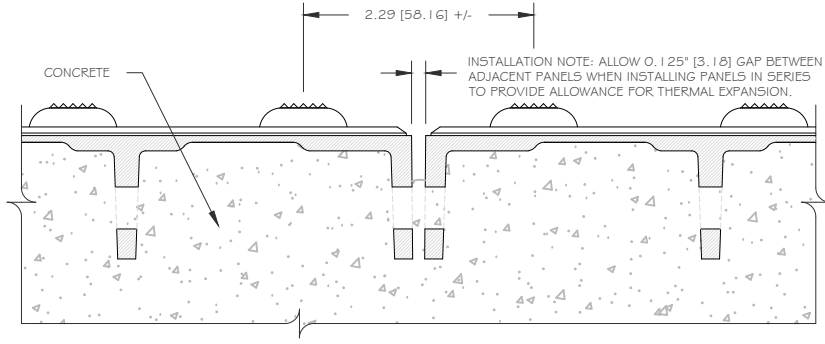
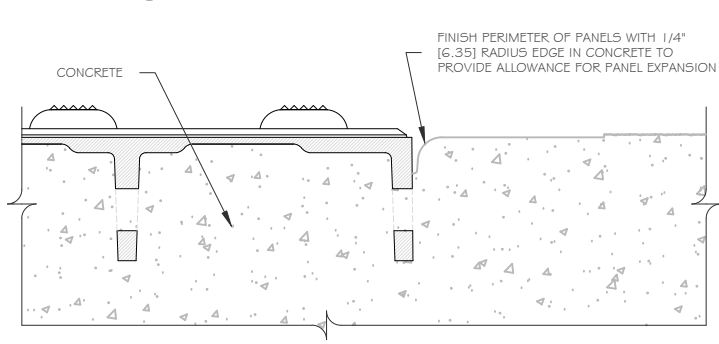
DIVISION TACTILE WALKING SURFACE INDICATORS		WEBSITE ADATILE.COM
MATERIAL FIBERGLASS REINFORCED POLYMER COMPOSITE SMC		PHONE 1-800-372-0519
DRAWING NUMBER ADA-HBRICK2430_Page 1 of 2	DATE 2021-11-18	DRAWING UNITS INCHES [MM]
		EMAIL INFO@ADATILE.COM





TO MAINTAIN MODIFIED BASKETWEAVE BRICK PATTERN FOR MULTIPLE PANEL INSTALLATIONS, ALIGN PANELS AT HALF-BRICK LOCATION FOUND ON EACH 24x30 PANEL (SHADED BELOW).

EMBEDMENT TOP VIEW - 2'x5' LAYOUT



A PERIMETER EMBEDMENT DETAIL

B PANEL-TO-PANEL JOINT DETAIL

C PATTERN ALIGNMENT

DETECTABLE WARNING SURFACE PANEL
HERITAGE BRICK PAVER UNIT 24 X 30
 PART SIZE: 24" (609.6 MM) X 29.875" (758.82 MM)
 2.31" (58.67 MM) IN-LINE TRUNCATED DOME SPACING (ALONG 30 INCH LENGTH)

DIVISION TACTILE WALKING SURFACE INDICATORS		WEBSITE ADATILE.COM
MATERIAL FIBERGLASS REINFORCED POLYMER COMPOSITE SMC		PHONE 1-800-372-0519
DRAWING NUMBER ADA-HBRICK2430_Page 2 of 2	DATE 2021-11-18	DRAWING UNITS INCHES [MM]
		EMAIL INFO@ADATILE.COM

