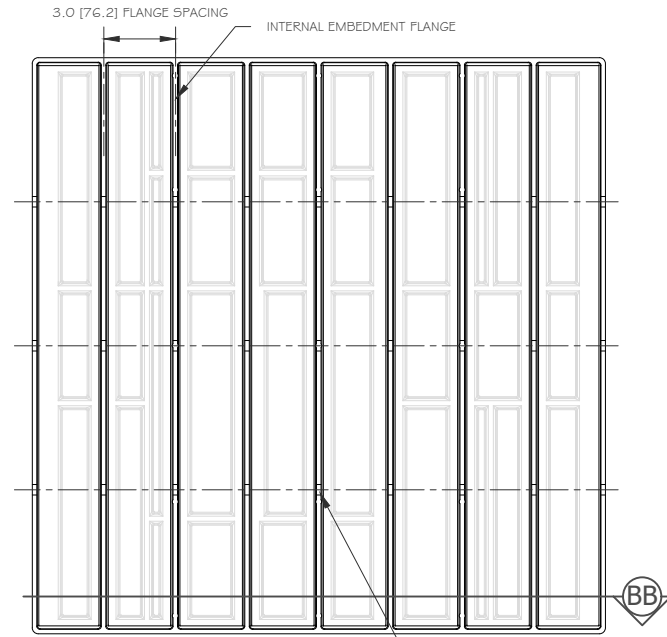


TOP VIEW

AA

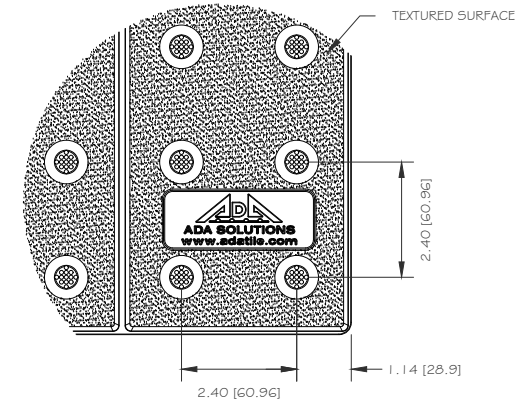
A



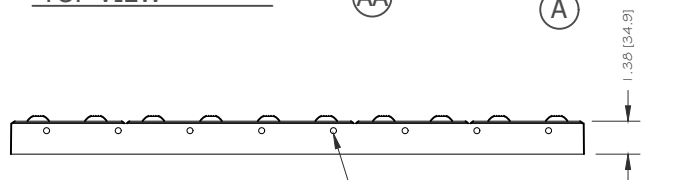
BOTTOM VIEW

BB

0.437" [11.0] DIAMETER HOLES IN EMBEDMENT FLANGE. 3 PER FLANGE.

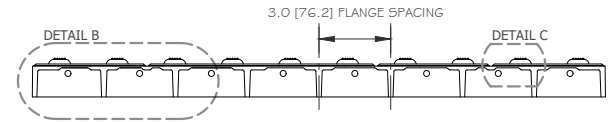


A DETAIL

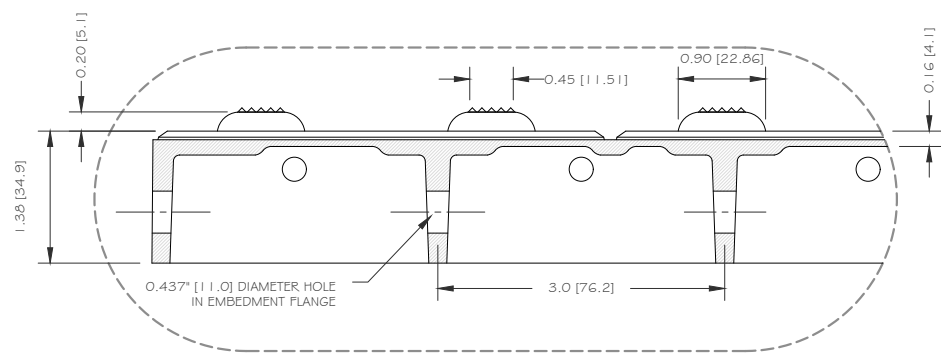


AA END VIEW

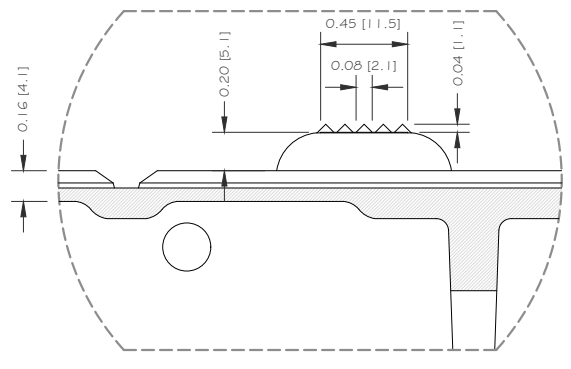
0.25" [6.35] DIAMETER VENT HOLES CENTERED BETWEEN EMBEDMENT FLANGES TO ALLOW AIR TO EXIT FROM CAVITIES DURING INSTALLATION INTO UNCURED CONCRETE.



BB SECTION



B DETAIL

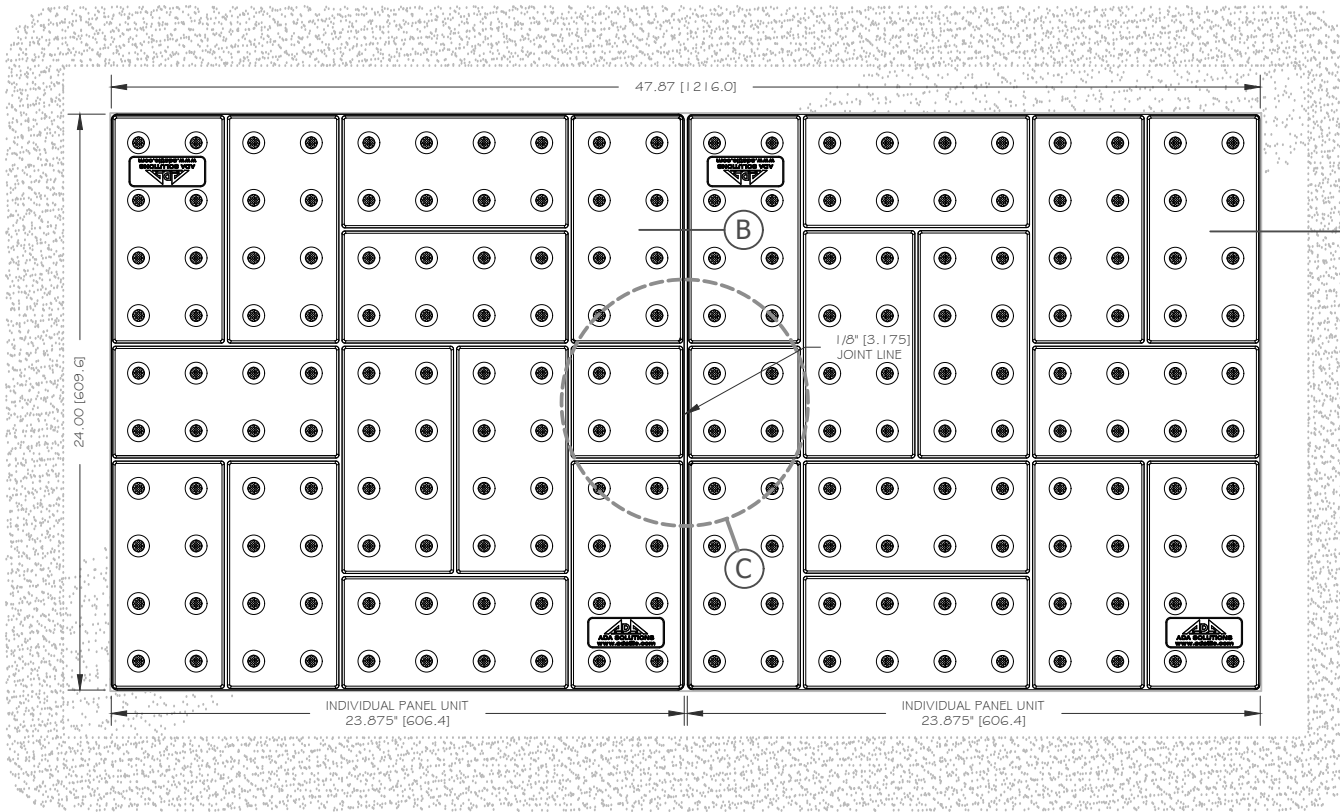


C DETAIL

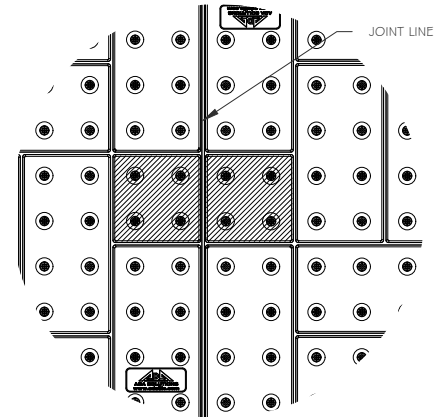
DETECTABLE WARNING SURFACE PANEL  
**HERITAGE BRICK PAVER UNIT 24 X 24**  
 PART SIZE: 24" (609.6 MM) X 23.875" (606.4 MM)  
 2.40" (60.96 MM) IN-LINE TRUNCATED DOME SPACING

DIVISION TACTILE WALKING SURFACE INDICATORS		WEBSITE ADATILE.COM
MATERIAL FIBERGLASS REINFORCED POLYMER COMPOSITE SMC		PHONE 1-800-372-0519
DRAWING NUMBER ADA-HBRICK2424_Page 1 of 2	DATE 2021-11-18	DRAWING UNITS INCHES [MM]
		EMAIL INFO@ADATILE.COM



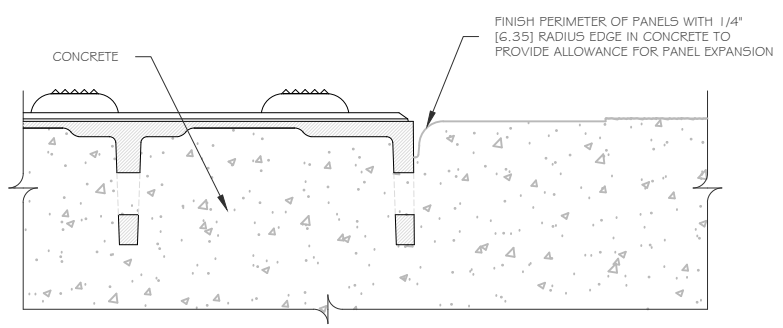


TO MAINTAIN MODIFIED BASKETWEAVE BRICK PATTERN FOR MULTIPLE PANEL INSTALLATIONS, ALIGN PANELS AT HALF-BRICK LOCATION FOUND ON EACH 24x24 PANEL (SHADED BELOW).

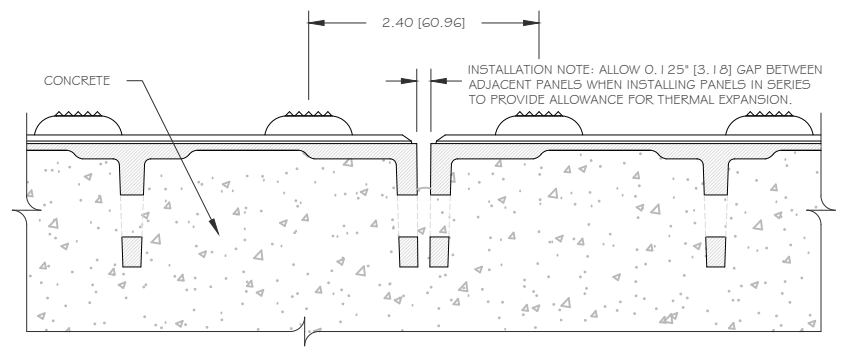


**C** PATTERN ALIGNMENT

**A** EMBEDMENT TOP VIEW - 2'x4' LAYOUT



**A** PERIMETER EMBEDMENT DETAIL



**B** PANEL-TO-PANEL JOINT DETAIL

DETECTABLE WARNING SURFACE PANEL  
**HERITAGE BRICK PAVER UNIT 24 X 24**  
 PART SIZE: 24" (609.6 MM) X 23.875" (606.4 MM)  
 2.40" (60.96 MM) IN-LINE TRUNCATED DOME SPACING

DIVISION TACTILE WALKING SURFACE INDICATORS		WEBSITE ADATILE.COM
MATERIAL FIBERGLASS REINFORCED POLYMER COMPOSITE SMC		PHONE 1-800-372-0519
DRAWING NUMBER ADA-HBRICK2424_Page 2 of 2	DATE 2021-11-18	DRAWING UNITS INCHES [MM]
		EMAIL INFO@ADATILE.COM

