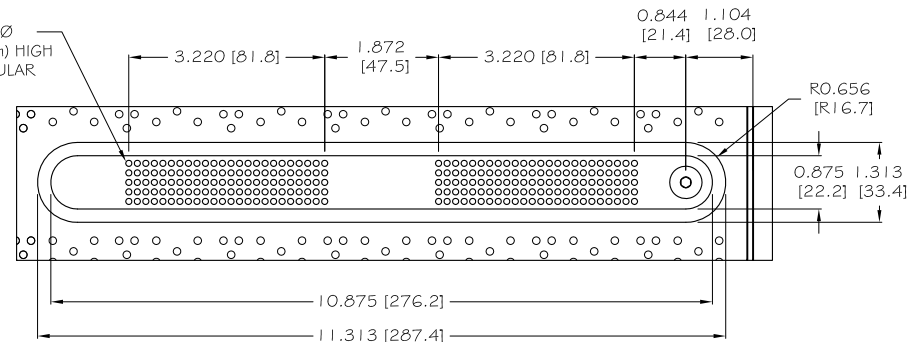
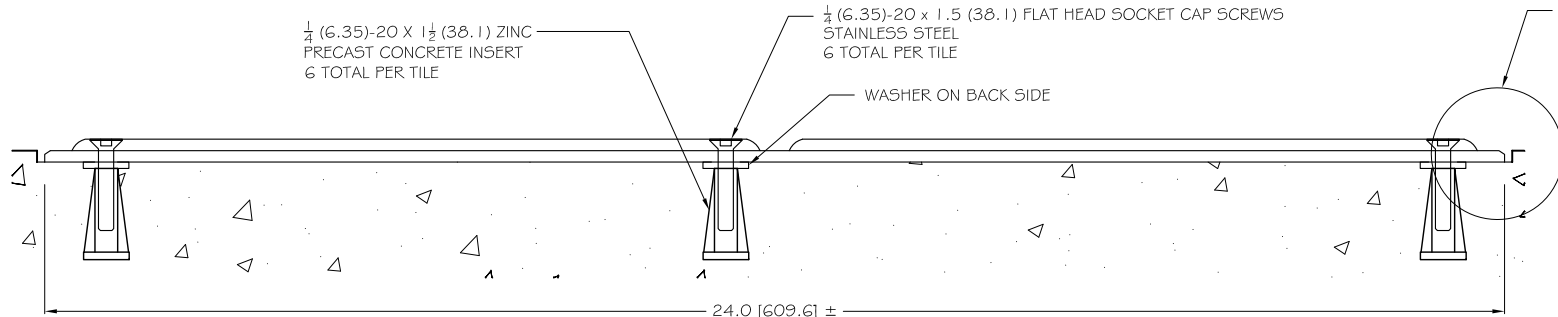


DIRECTIONAL BAR TILE PLAN

0.100 (25.4mm) Ø  
X 0.040 (1.02mm) HIGH  
5 X 24 RECTANGULAR  
PATTERN

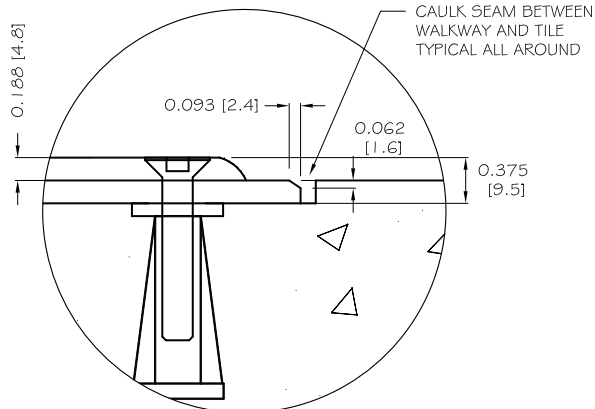


DETAIL 1

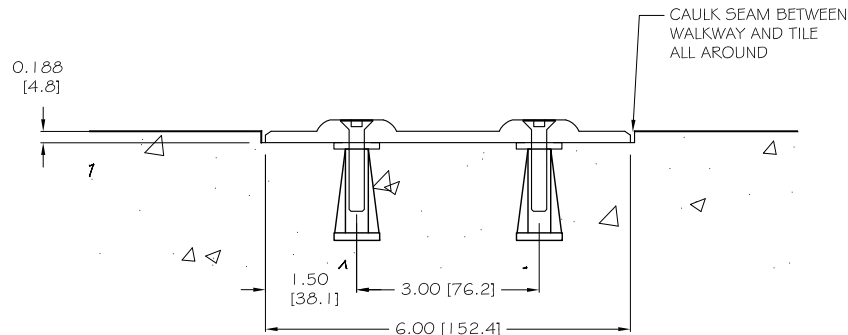


SECTION A

NOTE: PRIMARY DIMENSION INCHES  
mm IN PARENTHESES



DETAIL 2



SECTION B

TRADE WAYFINDING TILE	PART NO. BARTILEREP624.188
MATERIAL SMC COMPOSITE	

**PROJECT**  
 REP DIRECTIONAL BAR TILE  
 PART SIZE: 6" x 24" (152mm x 610mm)  
 6-BOLT LOCATIONS  
 0.1875 (4.8) BODY THICKNESS  
 PLANS AND DETAILS

DRAWING NO. ADA-DGTREP_624_0.188	DATE 08-01-14
-------------------------------------	------------------



WWW.ADATILE.COM  
 PHONE: (800)372-0519  
 EMAIL: INFO@ADATILE.COM