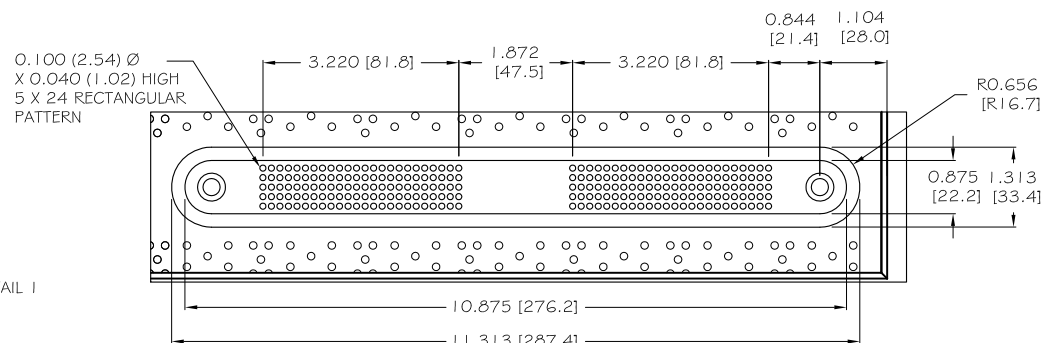
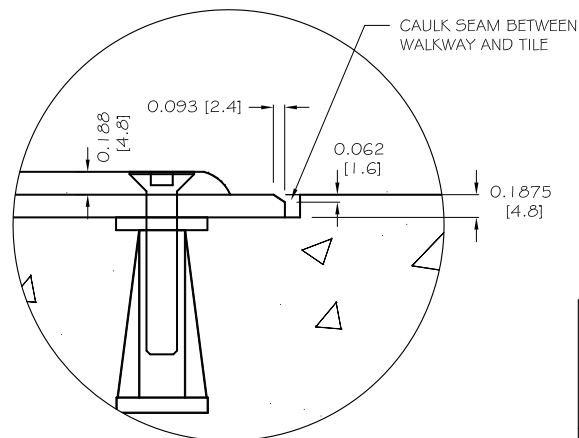


DIRECTIONAL BAR TILE PLAN



DETAIL 1

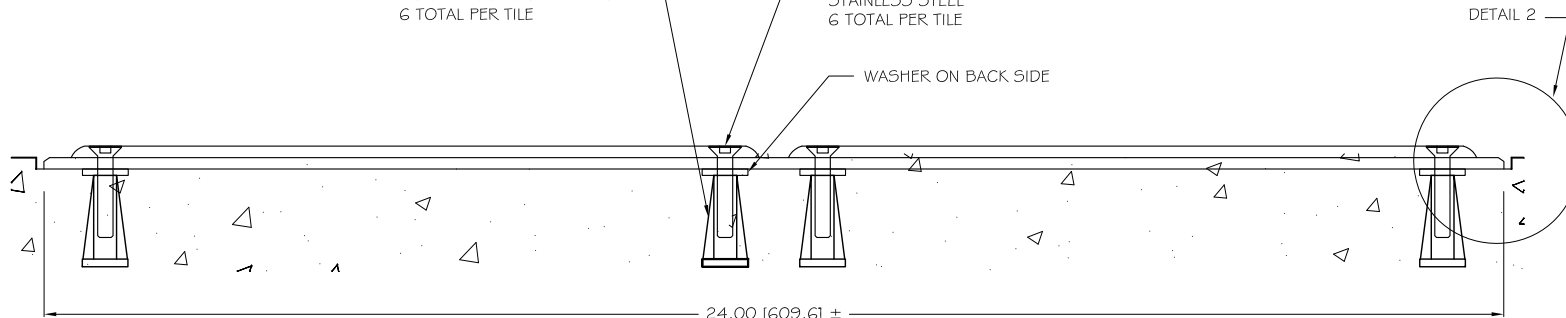


DETAIL 2

NOTE: PRIMARY DIMENSION INCHES
mm IN PARENTHESES

1/4 (6.35)-20 X 1 1/2 (38.1) ZINC PRECAST CONCRETE INSERT 6 TOTAL PER TILE
1/4 (6.35)-20 X 1.5 (38.1) FLAT HEAD SOCKET CAP SCREWS STAINLESS STEEL 6 TOTAL PER TILE

WASHER ON BACK SIDE



SECTION A

TRADE WAYFINDING TILE	PART NO. BARTILEREP1224.188
MATERIAL SMC COMPOSITE	

PROJECT
REP DIRECTIONAL BAR TILE
PART SIZE: 12" x 24" (305mm x 610mm)
8-BOLT LOCATIONS
0.1875 (4.8) BODY THICKNESS
PLANS AND DETAILS

DRAWING NO. ADA-DGTREP_1224_0.188	DATE 08-01-14
--------------------------------------	------------------



WWW.ADATILE.COM
PHONE: (800)372-0519
EMAIL: INFO@ADATILE.COM