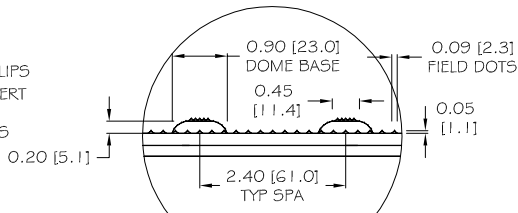


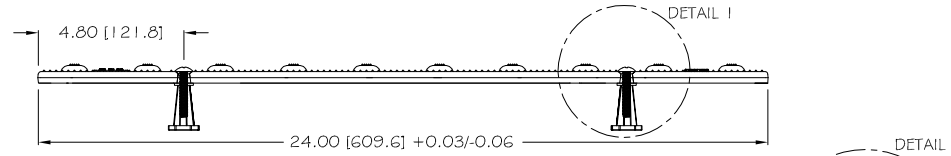
CAST IRON 24X30 TILE BOTTOM VIEW

CAST IRON 24X30 TILE TOP VIEW

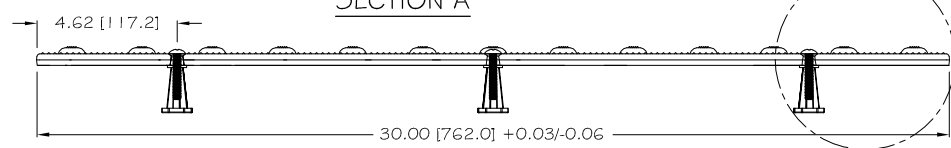
1/4" SS EXTRA WIDE TRUSS HEAD PHILLIPS SCREW X 1 1/2" LONG INTO 1/4" X 1 1/2" INSERT SEE DETAIL 2 (TYP. 6 LOC.) SEE DETAIL 3 FOR HOLE DIMENSIONS



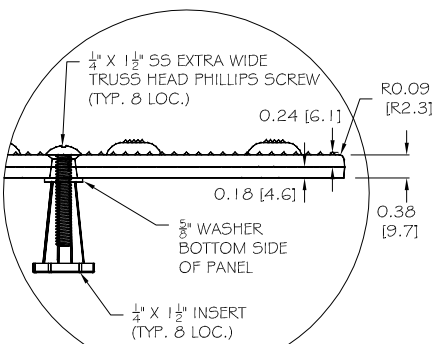
DETAIL 1



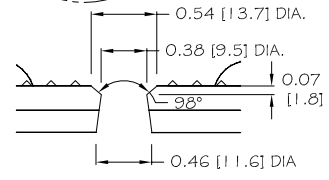
SECTION A



SECTION B



DETAIL 2



INSERT HOLE DETAIL

NOTE: PRIMARY DIMENSION INCHES mm IN PARENTHESES  
ALL DIMENSIONS NOMINAL

TRADE TACTILE WARNING SURFACE	PART NO. 24X30 IRON DOME
MATERIAL CAST IRON	

**PROJECT**  
**IRON DOME**<sup>®</sup>  
 REPLACEABLE TACTILE  
 WARNING SURFACE UNIT  
 8-BOLT LOCATIONS  
 PART SIZE 24" (610mm) X 30" (762mm)  
 PLANS AND DETAILS

DRAWING NO. ADA-REP_CI2430_TH	REV 0	DATE 10-25-17
----------------------------------	----------	------------------



WWW.ADATILE.COM  
 PHONE: (800)372-0519  
 EMAIL: INFO@ADATILE.COM

- NOTES:  
 1) CASTING TOLERANCES: +/- 0.03" UNLESS OTHERWISE SPECIFIED  
 1/8" MAXIMUM WARP FROM CORNER TO CORNER  
 2) MATERIAL: METAL SPECIFICATION ASTM A159 G3000 CAST IRON