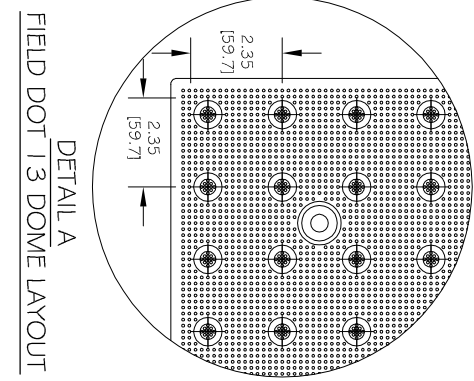
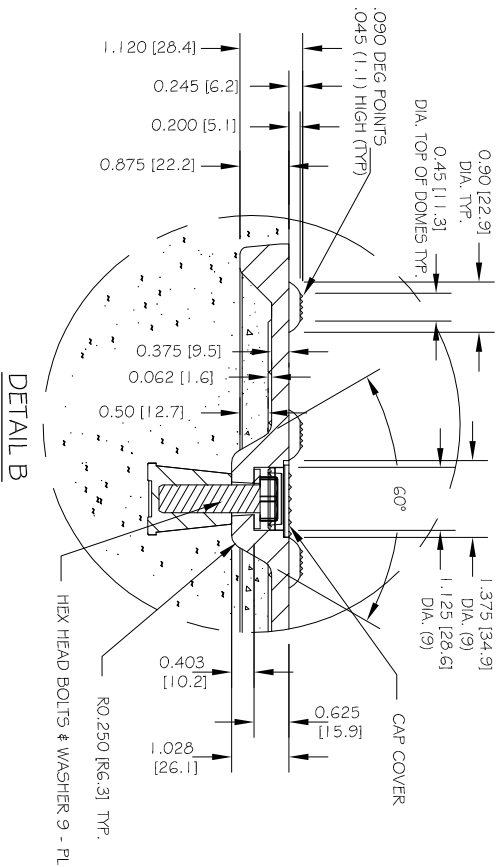
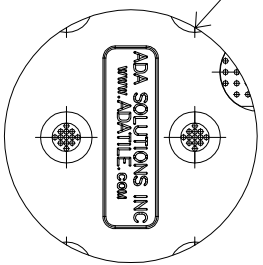
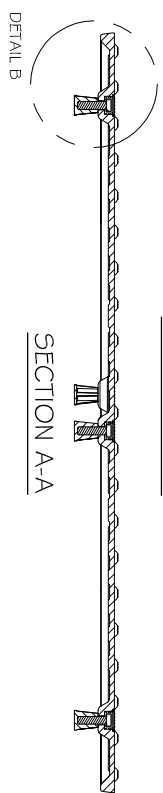


TOP OF PANEL
45.714 [1161.1]
20 - EQUAL SPACES

BOTTOM OF PANEL



ALL DIMENSIONS NOMINAL
PRIMARY DIMENSION INCHES
mm IN PARENTHESES

TRADE TACTILE WARNING SURFACE	PART NO. 3648REP
MATERIAL SMC COMPOSITE	

PROJECT
WET SET ADA HD REPLACEABLE TACTILE
WARNING SURFACE UNIT
9-BOLT LOCATIONS
2.350" 59.7mm IN LINE TRUNCATED DOME
PART SIZE 36" (914mm) x 48" (1219mm)
PLANS AND DETAILS

DRAWING NO. ADA-REPHD3648	DATE 06-15-17
------------------------------	------------------

ADA SOLUTIONS, INC.
DETECTABLE WARNING SURFACES
FOR PEDESTRIAN CROSSINGS

WWW.ADATILE.COM
PHONE: (800)372-0519
EMAIL: INFO@ADATILE.COM