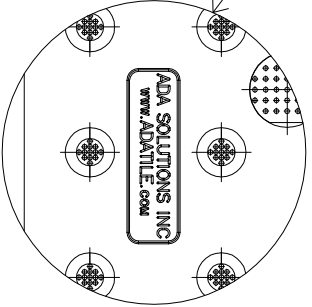
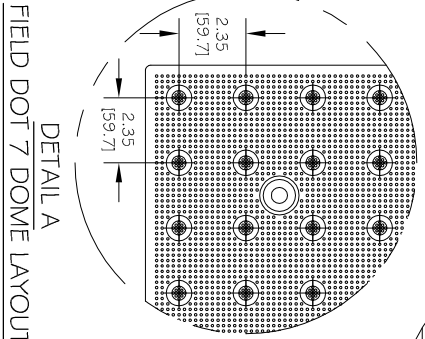
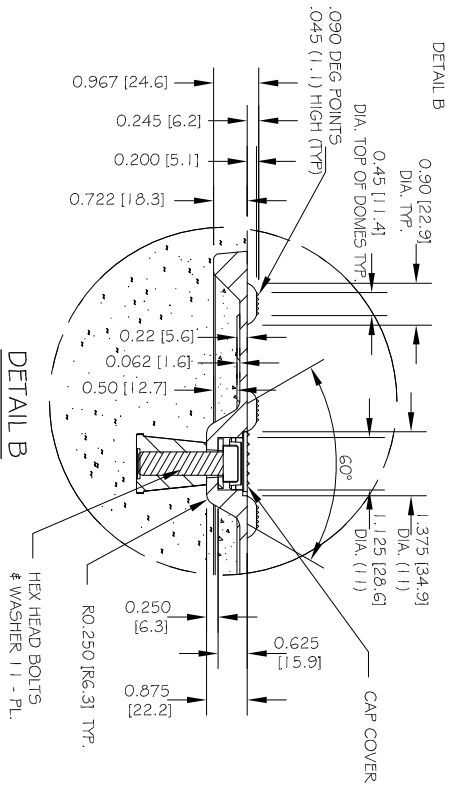


SECTION A-A



ALL DIMENSIONS NOMINAL
PRIMARY DIMENSION INCHES
mm IN PARENTHESES

TRADE TACTILE WARNING SURFACE	PART NO. 2460NV11REP_
MATERIAL SMC COMPOSITE	
PROJECT MET SET ADA REPLACEABLE TACTILE WARNING SURFACE UNIT 11-BOLT LOCATIONS 2.350" (59.7mm) IN LINE TRUNCATED DOME PART SIZE 24" (610mm) X 60" (1524mm) PLANS AND DETAILS	
DRAWING NO. ADA-REP2460	DATE 06-15-17

