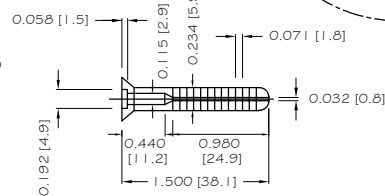
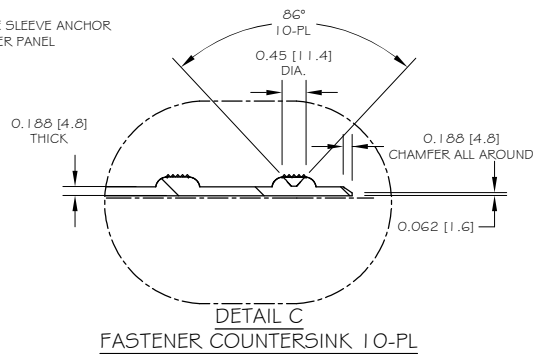
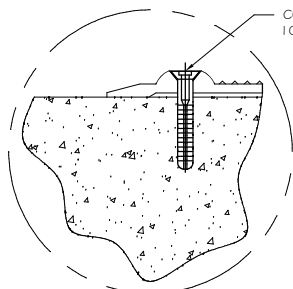
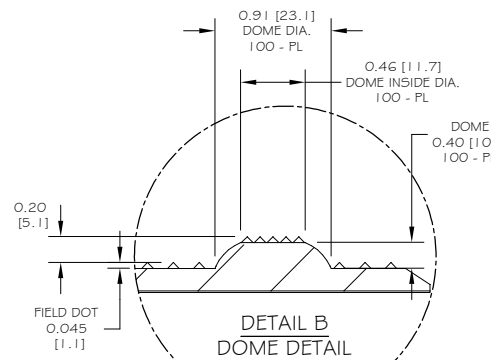
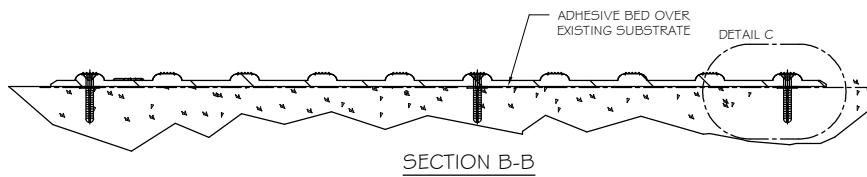
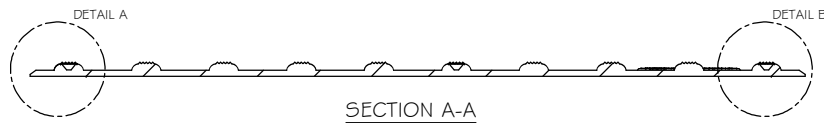


IN-LINE DOME TACTILE WARNING SURFACE PANEL



ALL DIMENSIONS NOMINAL
PRIMARY DIMENSION INCHES
mm IN PARENTHESES

| | |
|----------------------------------|---------------------------|
| TRADE TACTILE WARNING SURFACE | PART NO. 2424IDTRANSXA |
| MATERIAL SMC COMPOSITE | |

PROJECT
IN LINE DOME SURFACE APPLIED
TACTILE WARNING SURFACE UNIT
10-ANCHOR LOCATIONS
2.40" (59.7mm) IN LINE TRUNCATED DOME
PART SIZE: 24" (610mm) x 24" (610mm)
0.1875" (4.8mm) THICK SOLID BODY
PLANS AND DETAILS

| | |
|--------------------------------------|------------------|
| DRAWING NO. ADA-TRANS_2424_188_SA | DATE 02-12-19 |
|--------------------------------------|------------------|



WWW.ADATILE.COM
PHONE: (800)372-0519
EMAIL: INFO@ADATILE.COM