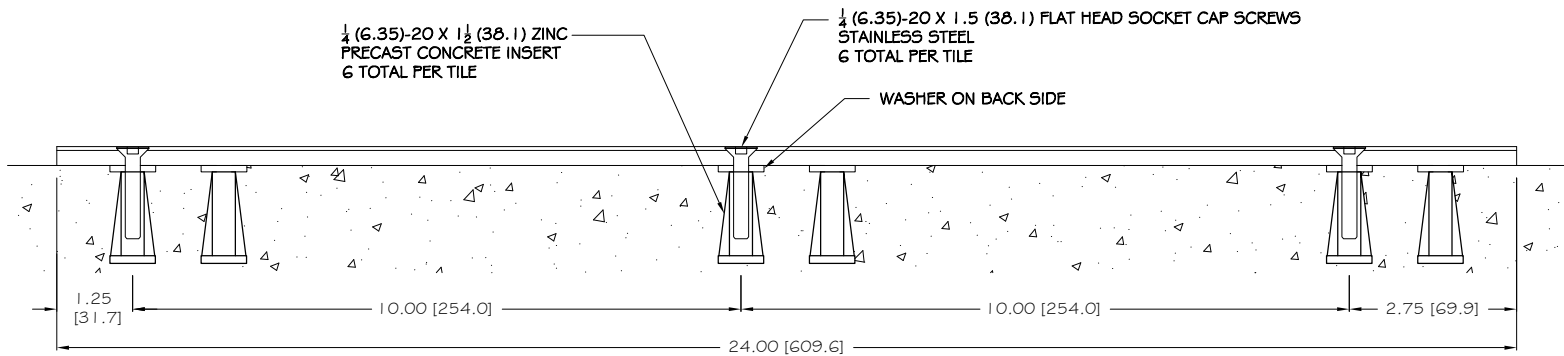
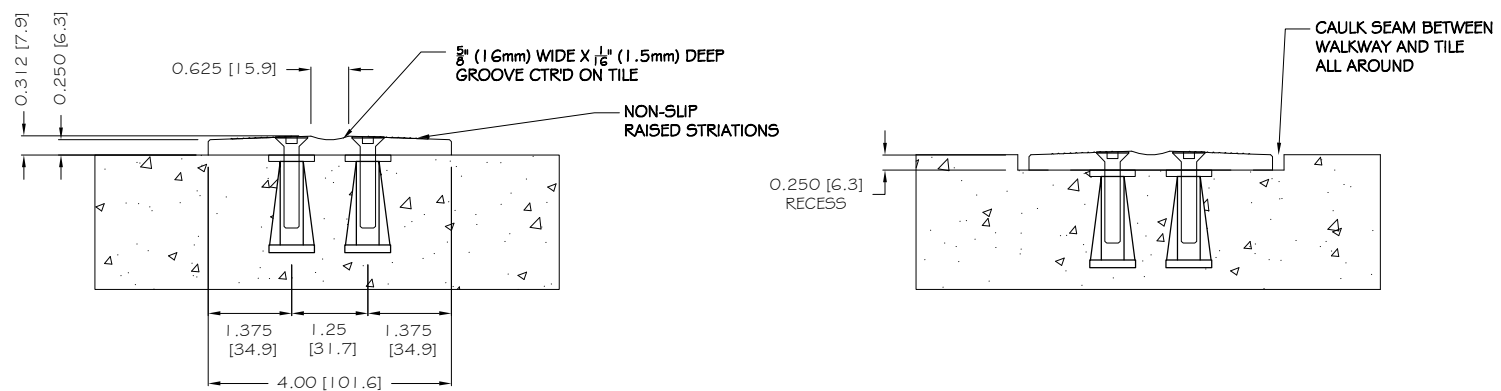


CROSSWALK GUIDE TILE PLAN




SECTION A-A



SECTION B-B
(NON SNOW REGIONS)

SECTION B-B
(SNOW REGIONS)

ALL DIMENSIONS NOMINAL PRIMARY DIMENSION INCHES mm IN PARENTHESES	
TRADE WAYFINDING TILE	PART NO. GUIDETILEREP424_
MATERIAL SMC COMPOSITE	
PROJECT REP CROSSWALK GUIDE TILE PART SIZE: 4" x 24" (102mm x 610mm) 6-BOLT LOCATIONS PLANS AND DETAILS	
DRAWING NO. ADA-CGTREP_424	DATE 06-12-13
 ADA SOLUTIONS, INC. DETECTABLE WARNING SURFACES FOR PEDESTRIAN CROSSINGS WWW.ADATILE.COM PHONE: (800)372-0519 EMAIL: INFO@ADATILE.COM	