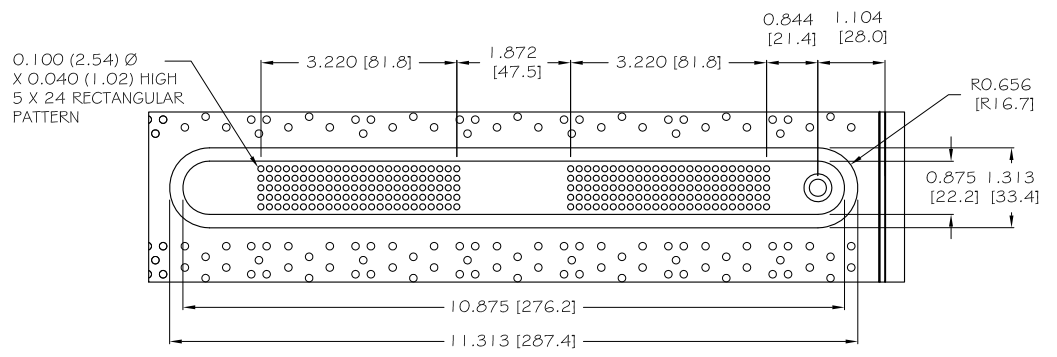
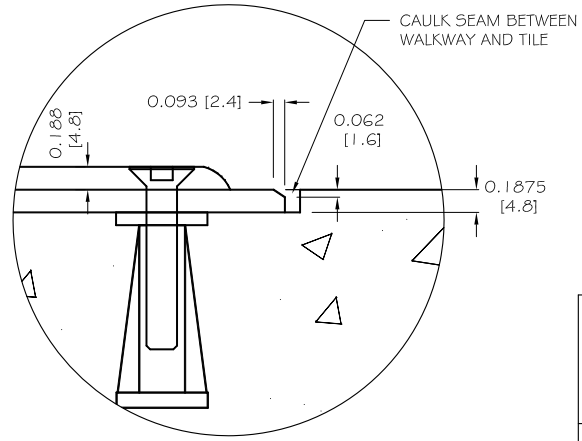


DIRECTIONAL BAR TILE PLAN

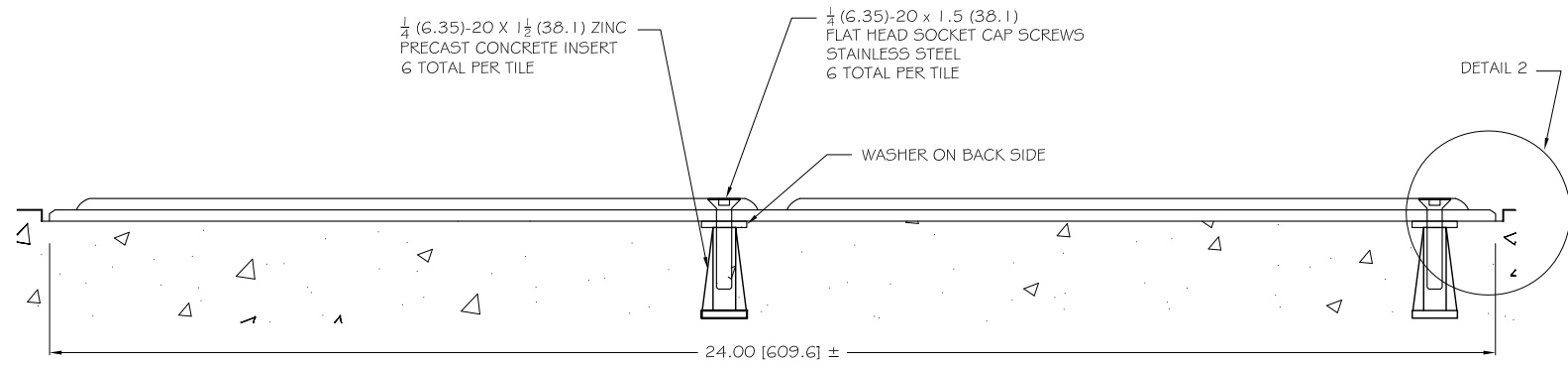


DETAIL 1




DETAIL 2

NOTE: PRIMARY DIMENSION INCHES  
mm IN PARENTHESES



SECTION A

TRADE WAYFINDING TILE		PART NO. BARTILERE2424.188	
MATERIAL SMC COMPOSITE			
<b>PROJECT</b> REP DIRECTIONAL BAR TILE PART SIZE: 24" x 24" (610mm x 610mm) 12-BOLT LOCATIONS 0.1875 (4.8) BODY THICKNESS PLANS AND DETAILS			
DRAWING NO. ADA-DGTREP_2424_0.188		DATE 08-01-14	
 <b>ADA SOLUTIONS, INC.</b> DETECTABLE WARNING SURFACES FOR PEDESTRIAN CROSSINGS  WWW.ADATILE.COM PHONE: (800)372-0519 EMAIL: INFO@ADATILE.COM			