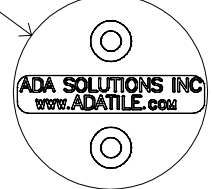


TOP OF PANEL

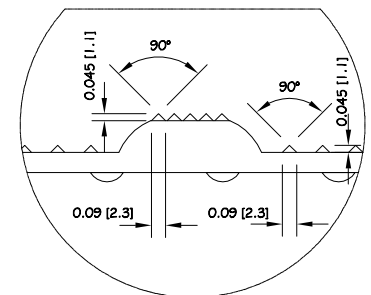
BOTTOM OF PANEL



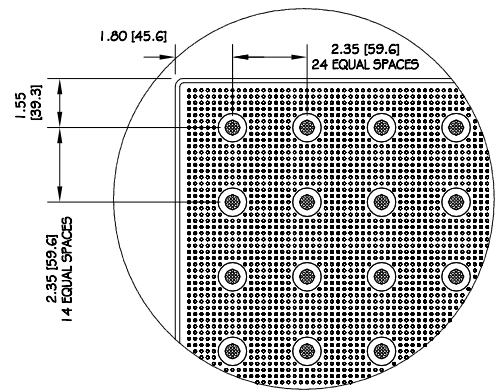
ELEVATION



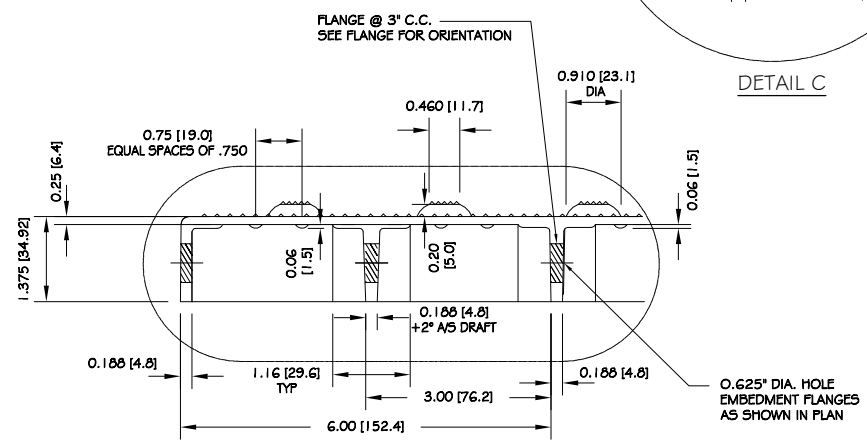
SECTION A-A



DETAIL C



DETAIL A



DETAIL B

ALL DIMENSIONS NOMINAL PRIMARY DIMENSION INCHES mm IN PARENTHESES	
TRADE TACTILE WARNING SURFACE	PART NO. 3660IDPAV2_
MATERIAL SMC COMPOSITE	
PROJECT CAST-IN-PLACE TACTILE WARNING SURFACE UNIT 2.350" (39.7mm) IN LINE TRUNCATED DOMI PART SIZE: 36" (914mm) x 60" (1524mm) PLANS AND DETAILS	
DRAWING NO. ADA-CIP3660_2	DATE 06-15-17
 WWW.ADATILE.COM PHONE: (800)372-0519 EMAIL: INFO@ADATILE.COM	