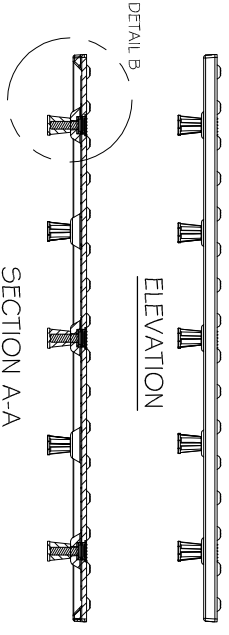


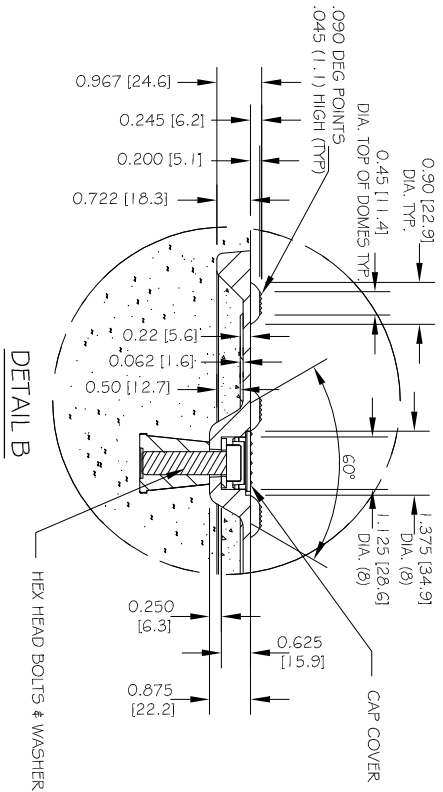
36.000 [914.4]
27.429 [696.7]

TOP OF PANEL
15 - EQUAL SPACES
34.286 [870.9]



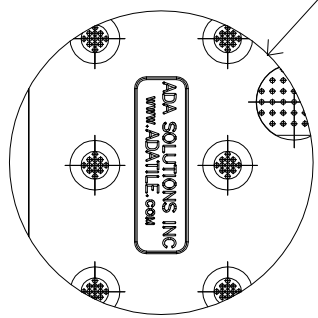
ELEVATION

SECTION A-A

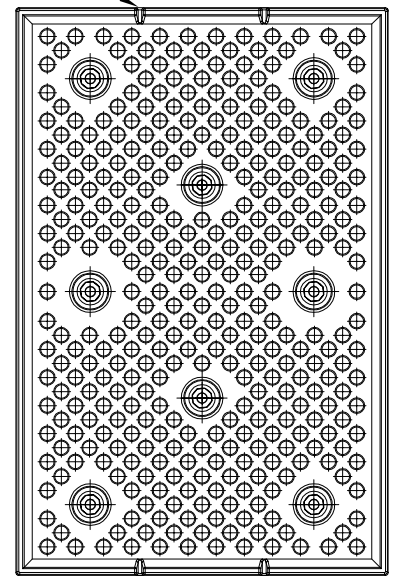


DETAIL B

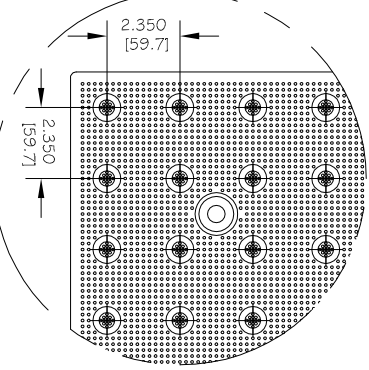
HEX HEAD BOLTS & WASHER 8 - PL.



AIR VENTS LOCATED ON THE ENDS OF THE TWO UNIT



BOTTOM OF PANEL



DETAIL A

FIELD DOT 7 DOME LAYOUT

<p>ALL DIMENSIONS NOMINAL PRIMARY DIMENSION INCHES mm IN PARENTHESES</p>	
<p>TRADE TACTILE WARNING SURFACE</p>	<p>PART NO. 2436NVRREP</p>
<p>MATERIAL SNC COMPOSITE</p>	
<p>PROJECT WET SET ADA REPLACEABLE TACTILE WARNING SURFACE UNIT 8-BOLT LOCATIONS 2.350" (59.7mm) IN LINE TRUNCATED DOME PART SIZE 24" (610mm) x 36" (914mm) PLANS AND DETAILS</p>	
<p>DRAWING NO. ADA-REP2436</p>	<p>DATE 06-15-17</p>
<p>ADA SOLUTIONS, INC. DETECTABLE WARNING SURFACES FOR PEDESTRIAN CROSSINGS WWW.ADATILE.COM PHONE: (800)372-0519 EMAIL: INFO@ADATILE.COM</p>	