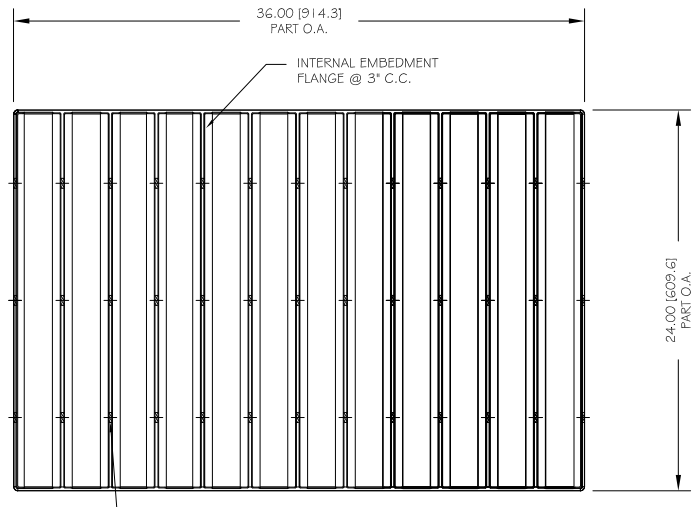
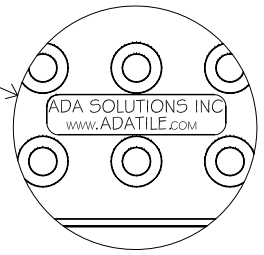


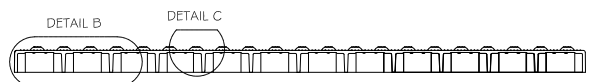
TOP OF PANEL



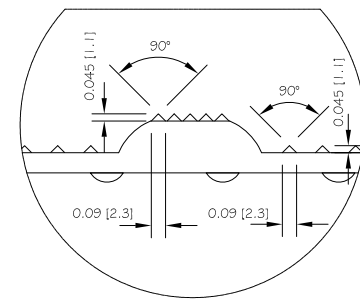
BOTTOM OF PANEL



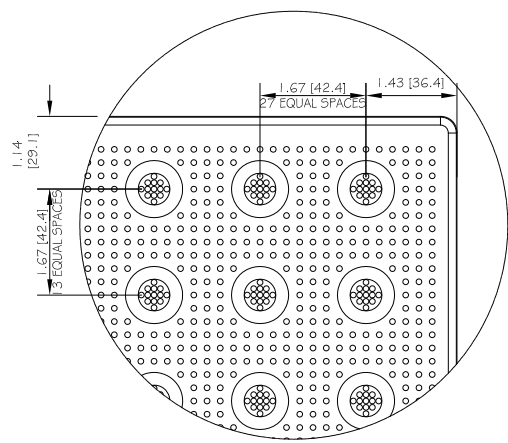
ELEVATION



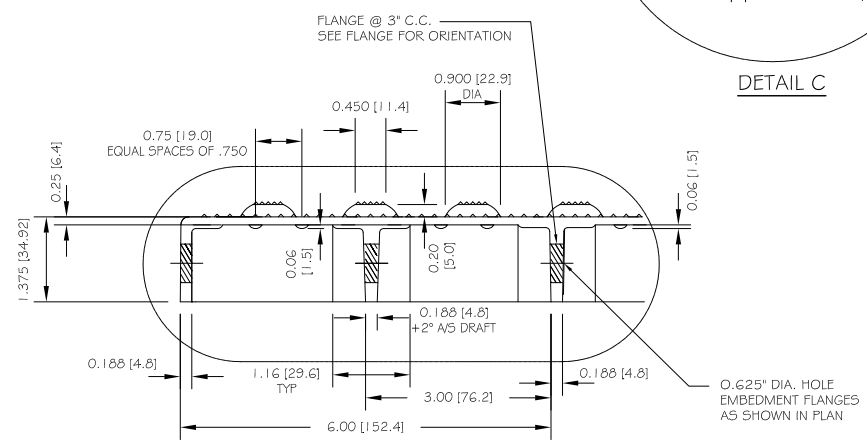
SECTION A-A




DETAIL C



DETAIL A



DETAIL B

ALL DIMENSIONS NOMINAL PRIMARY DIMENSION INCHES mm IN PARENTHESES	
TRADE TACTILE WARNING SURFACE	PART NO. 2436IDPAV1_
MATERIAL SMC COMPOSITE	
PROJECT CAST-IN-PLACE TACTILE WARNING SURFACE UNIT 1.670" (42.4mm) IN LINE TRUNCATED DOME PART SIZE: 24" (610mm) x 36" (914mm) PLANS AND DETAILS	
DRAWING NO. ADA-CIP2436_1	DATE 06-15-17
 ADA SOLUTIONS, INC. DETECTABLE WARNING SURFACES FOR PEDESTRIAN CROSSINGS WWW.ADATILE.COM PHONE: (800)372-0519 EMAIL: INFO@ADATILE.COM	